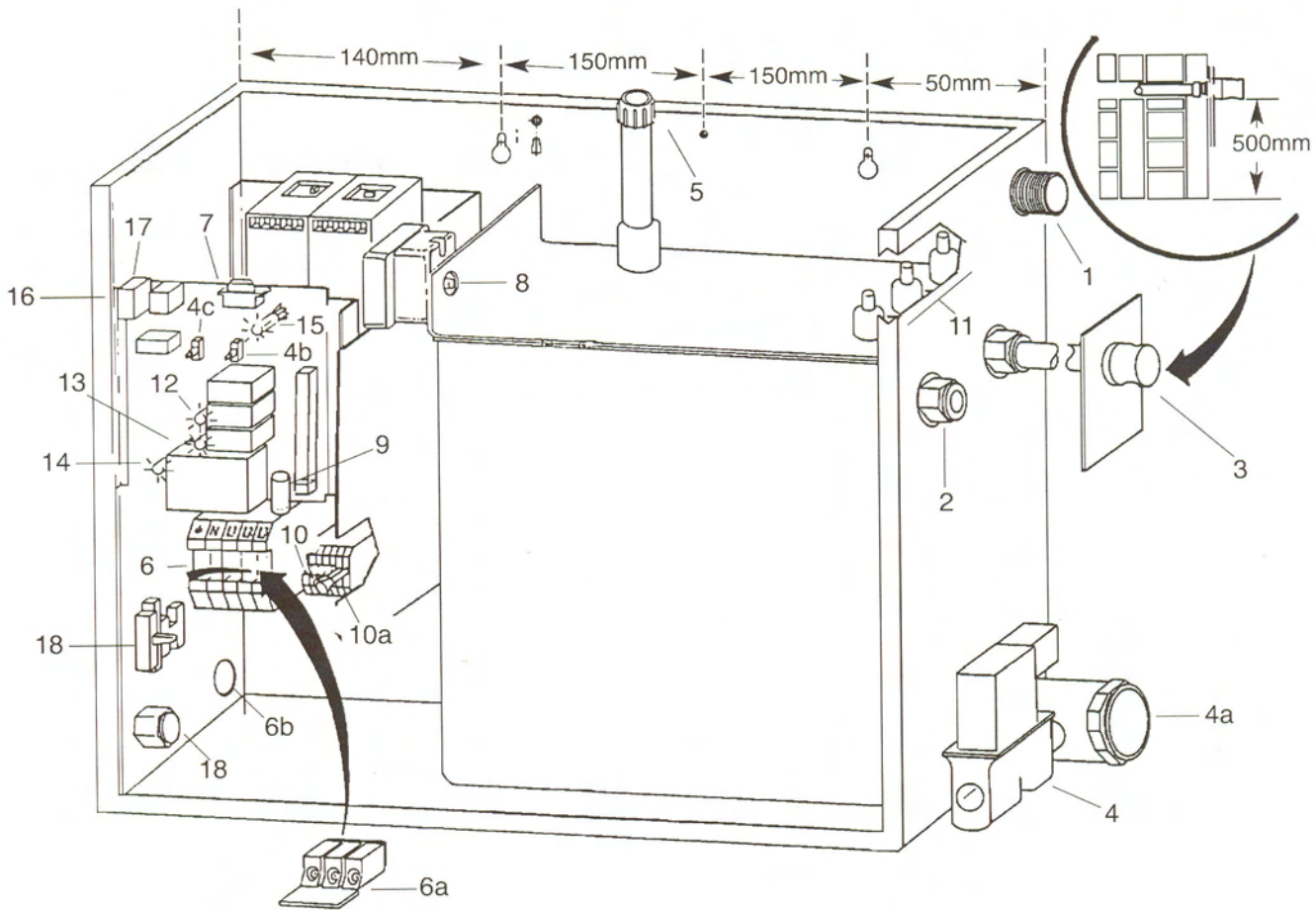


Certikin Steam Generator



Steam Generator Tank Sizes

Reference	Size	Power	Wide	High	Deep	Order Code
CK7730/9A	1	3-9kW	285mm	270mm	95mm	VAK38
CK7731	2	6-12kW	285mm	285mm	150mm	VAK50/B2
CK7731B	3	6-12kW	300mm	290mm	235mm	VAK50/B3
CK7732	4	18-24kW	375mm	295mm	235mm	VAK50B/4

All dimensions are approximate

Product Information	Manufacturers Code	Item No:	Certikin Code	Product Description
For 24kW Generator elements please order x 2 - VAK07 x 2 - VAK16				Certikin Steam Generator
		3	VAK01	Steam Outlet Nozzle - 15mm Domestic
		3	VAK01C	Steam Outlet Nozzle - 22mm Commercial
		11	VAK03	Set Of Blue Probes- AKW Steam Generator
		11	VAK03/BKW	Set Of Probes- BKW Steam Generator
		7	VAK05	Circuit Card - Domestic Board 3-9kW
		7	VAK09	Relay Board - Commercial 6-12kW Upwards
		1	VAK06	Inlet water Solenoid
		4	VAK17	Outlet Solenoid
		2	VAK18	Safety Valves
		10	VAK43	Connector Block For KW Change
		20	VAK10	Contactora
			VAK07	Set Of 3 Elements 6-9-12kW
			VAK16	Heater Element C/W Cut Out
			VAK34	24 Hour Time Clock
			VAK35	Push Button For Cubicle Control - AKW
			VAK31	8 Metre Lead With Probe For BKW
		4A	VPIL92	Rubber Seal For Outlet
			VAK48	PCB Board Fuse
			VAK31/15	15 Metre Lead With Probe For BKW
			VAK31/3	8 Metre Lead With Probe (3-core) For BKW
			VAK29	Time Clock For BJ Series
			CK7736	6 Metre Extension Lead & Plug
			CK7737/9	5M 9-Pin Sensor Lead
			CK7738	Cubicle Control
			CK7740	Domestic Control Panel
			VAK14	Multi Range Timer 0-10 Minutes
			VAK28	Complete Set Of Controls For BKW Generator - C/W Sensors
			VAK43	Connector Blocks To Change 3 Phase to 1 Phase
			VAK44	Terminal Block + KW Change Pins
		VAK48	Fuse For PCB On Generator	
		CK7738	Cubicle Control For AKW Generator	
		CK7739N	Attendant Control For AKW Generator	
		CK7740	Domestic Control Panel	